



Enhanced SPDs (SPD*)

“Lower value of P_{SPD} ” in Risk Assessment
 (Annex Table MS IEC 62305-2)

“Lower (therefore better) voltage protection levels
 (let-through)”

Ensure continuous operation of equipment
 “Full Mode Protection”



Enhanced SPDs (SPD*)

“Lower value of P_{SPD} ” in Risk Assessment
 (Annex Table MS IEC 62305-2) **Probability of damage P_x**

LPL	SPD	P_{SPD}
No coordinated SPD protection		1
III-IV	III-IV III-IV* (note 3)	0.03 0.003
II	II II* (note 3)	0.02 0.002
I	I I* (note 3)	0.01 0.001

Enhanced SPDs (SPD*)

“Lower value of P_{SPD} ” in Risk Assessment
(Annex MS IEC 62305-2)

Probability of damage P_X



Probability of damage P_X

The probability of a particular type of damage is determined by the choice of characteristics and protection measures. Shown below are some of the relevant tables from Annex MS IEC 62305-2 for the probability of damage.

The ultimate protection measures proposed by Annex MS IEC 62305-2 are shown in the following table.

P_X	Source of damage ⁽¹⁾	Type of damage ⁽¹⁾
P_A	S1	D1
P_B	S1	D2
P_C	S1	D3
P_M	S2	D3
P_U	S3	D1
P_V	S3	D2
P_W	S3	D3
P_Z	S4	D3

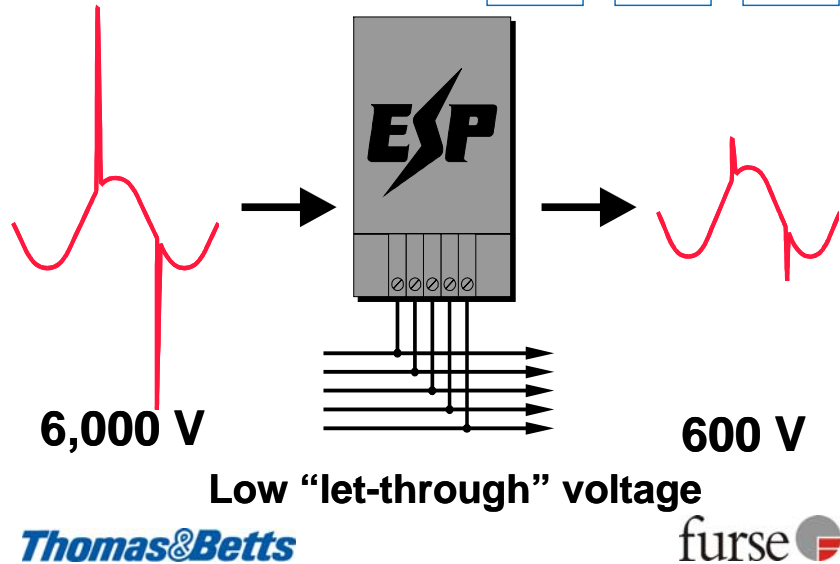
Enhanced SPDs (SPD*)

“Lower value of P_{SPD} ” in Risk Assessment
(Annex Table.B3 BS EN 62305-2)

“Lower (therefore better) voltage protection levels (let-through)”

Ensure continuous operation of equipment
“Full Mode Protection”





Enhanced SPDs (SPD*)

“Lower value of P_{SPD} ” in Risk Assessment
(Annex Table.B3 BS EN 62305-2)

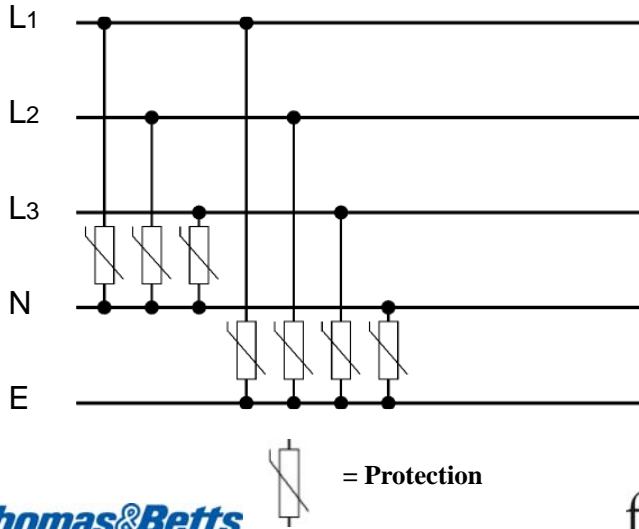
“Lower (therefore better) voltage protection levels
(let-through)”

Ensure continuous operation of equipment

“Full Mode Protection”



Full Mode Protection

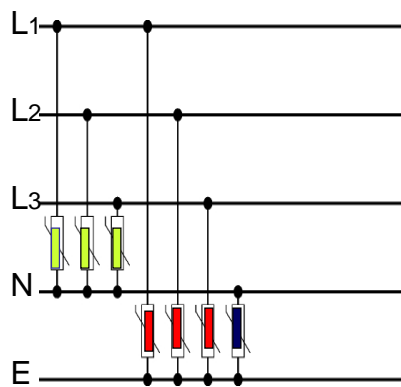


Thomas&Betts

furse



Protection In All Modes



Dedicated Protection Between

L1-N

L2-N

L3-N

Dedicated Protection Between

L1-E

L2-E

L3-E

Dedicated Protection Between

N-E

Thomas&Betts

furse